

30<sup>th</sup>

Annual



**EW Pack 89**  
**Cubmobile Derby**



Sunday May 7, 2023

at Southern Auto Auction

Route 5, East Windsor, CT

Noon to 4 P.M.

(Rain Date Sunday, May 21, 2023)

# Summary of Rules for 2023

**1. A registration fee of \$8.00 per racer is required.**

Please make checks payable to **Pack 89**. Please use **ONE Pack check** for all your teams.

**2. All registration activities must take place prior to race day.**

Leaders must have all **completed Parent Authorization/Team Registration Forms** and **Registration Fees** submitted to the committee by **Monday, April 24, 2023**. On the day of the race, each team leader will receive a packet for their Scouts that will include all the information, tickets and ribbons for the day's activities.

**Note:** A Tour Plan is strongly suggested for insurance purposes

**3. Elevated safety requirements/changes made in 1996.**

A "**push bar**" must be installed on all Cubmobiles to keep the Scouts that are pushing the car clear of the wheels. Also, the **steering safety blocks** are required to be **no more than 0.25 (1/4) inches** from the frame. Every racer is required to wear the proper safety equipment while driving.

**4. Use of footrest will be required (incorporated 2010).**

At the request of some leaders, a footrest will be required on cars to discourage braking with the feet. Teams should practice proper operation of the Cubmobile, including braking, prior to race day.

**5. Participation rule clarification/changes made in 1996.**

Each Team registered in the event must have a **minimum of four (4)** Scouts participating. While teams may merge to compete, the majority of the racers must be from the registered team. In addition, a team may not be registered in the race and have other members of their team merged with other registered teams.

**6. Cars will be closely inspected to the Cubmobile Spec Sheet found on page 6**

**7. All cars must maintain their safety equipment throughout the race.**

**8. No Bicycles or Scooters Allowed**

**FOR MORE INFORMATION, call:**

**Cubmaster Manny Jacques**  
[mjacques2311@gmail.com](mailto:mjacques2311@gmail.com)

## 2023 Cubmobile Derby Official Rules

**1. Each Pack Must**

a. Submit all **Parent Permission Authorization and Team Registration Forms and Registration Fees** to the race

committee no later than **Monday, April 24, 2023**. Please submit one check from your Pack for all teams in the Pack.  
**Important Note:** Teams not registered and paid by the deadline may not be able to race this year.

## 2. Each Driver Must

- a. Wear their **Scout uniform (Class A or Class B is acceptable), long pants** and a **long-sleeved shirt**. Arms and legs must be covered for safety.
  - i. If Scout shirt is short-sleeved, Scouts can wear a long-sleeved T-shirt under their uniform shirt or a jacket over the shirt.
  - ii. Elbow & kneepads are permissible.
- b. Wear **sneakers**.
- c. Wear a **helmet** and **gloves**.
- d. Wear the **seatbelt when driving** the derby car.

## 3. Each Car Must Have (Please see Cubmobile spec sheet for actual specifications, on last page)

- a. Working brakes with a rubber "drag" pad (or equivalent).
- b. Wheels with a diameter no larger than 11 inches (wheel must be non-pneumatic).
- c. A stable "push bar."
- d. Steering blocks no more than 0.25 (1/4) inches from the frame.
- e. Have a working seatbelt.
- f. Use of footrest to discourage the scouts from braking with their feet.
- g. Pass a pre-race inspection prior to racing. **(Cars will be inspected to Cubmobile spec sheet)**

## 4. Each Team Must

- a. Have a minimum of 4 racers per car. One car per team is strongly recommended. Larger teams may have more than 1 car.
- b. Have each contestant drive the car twice (once per lane) and push the car twice (once per lane.)

## 5. Eligibility

- a. The race is open to all BSA registered Scouts through first year Webelos, in the current scout year.

## 6. Judging

- a. Timekeepers will collect times at the finish line.
- b. Judges reserve the right to modify the rules at any time without prior notice.
- c. Decisions of the judges are final.
- d. Trophies will be presented to the teams with the best average times.
- e. All registered Scouts will receive participation ribbons.

## 7. Behavior

- a. Disorderly or unsportsmanlike conduct will not be allowed. It is expected that all Scouts will behave appropriately. It is the responsibility of each team leader to control their team.

# Pack 89 Judging and Awards

## Racing Award

Pack 89 will award the coveted Traveling Cubmobile Trophy to the team with the best average time. The trophy will have an engraved nameplate with the date and name of the winning team. The winning team will have sole possession of this trophy and any rights and privileges associated with it for the following year. At the announcement of next year's Cubmobile Derby, the reigning team will turn over the trophy for the next year's competition. Normally, there will be trophies awarded to the three fastest teams.

## Best Appearance Award

**Optional for each pack – something FUN to do within your Pack.**

During the September monthly pack meeting, all of the registered cars participating in the Cubmobile Derby are displayed. The participating den leaders (one per den) will complete a ballot, judging the cars on their appearance. Please note that den leaders must abstain from scoring their own cars. The cars will receive points on their design, colors and creativity. Results will be tallied and the car with the highest overall scores wins the Best Appearance Award (could be a trophy or certificate) that they will then keep. The winner is announced at the end of the September Pack meeting.

# Parent Permission/Authorization and Team Registration Form

## Parent Section:

FEE \$8.00 [Payable to Your Pack]

Cub Scout's Name: \_\_\_\_\_

Street Address: \_\_\_\_\_

Town: \_\_\_\_\_ State: \_\_\_\_\_ ZIP Code: \_\_\_\_\_

Home Phone: \_\_\_\_\_ Age: \_\_\_\_\_

## STATEMENT

I (We), the parents of the above named Cub Scout, hereby give my (our) consent for my (our) son to participate in the Scouting event, the Cubmobile Derby. I (We) absolve Southern Auto Auction, the leaders of Pack 89, and the judges of any personal liability resulting out of this event. I (We) understand that this event involves my (our) son in the racing of a "homemade" Cubmobile and my (our) son's involvement is strictly my (our) decision. My (our) child has no medical restrictions that would inhibit him from participating in this event.

\_\_\_\_\_  
Parent or Legal Guardian Signature

\_\_\_\_\_  
Date

## Pack Section:

Team Leader: \_\_\_\_\_ **required** Team Number: \_\_\_\_\_ Pack Number: \_\_\_\_\_  
(assigned by each Pack – we no longer use Den numbers)

Pack Contact Name, telephone # and/or email address: \_\_\_\_\_  
(In case of questions)

Please mail completed forms and your check [**one per Pack**] payable to **Pack 89** to:

EW Pack 89  
PO Box 682  
Broad Brook, CT 06016

***Remember, completed registrations are due by Monday, April 24, 2023.***

-----  
The following is to be completed by the Race Committee.

Pre-Registration Date: \_\_\_\_\_ Racer Number: \_\_\_\_\_

# Parent Permission/Authorization and Team Registration Form

## Parent Section:

FEE \$8.00 [Payable to Your Pack]

Cub Scout's Name: USE SIMPLE BLOCK LETTERS - we must be able to read

Street Address: USE SIMPLE BLOCK LETTERS - we must be able to read

Town: we must be able to read State: \_\_\_\_\_ ZIP Code: \_\_\_\_\_

Home Phone: we must be able to read Age: \_\_\_\_\_

### STATEMENT

I (We), the parents of the above named Cub Scout, hereby give my (our) consent for my (our) son to participate in the Scouting event, the Cubmobile Derby. I (We) absolve Southern Auto Auction, the leaders of Pack 89, and the judges of any personal liability resulting out of this event. I (We) understand that this event involves my (our) son in the racing of a "homemade" Cubmobile and my (our) son's involvement is strictly my (our) decision. My (our) child has no medical restrictions that would inhibit him from participating in this event.

REQUI RED

REQUI RED

Parent or Legal Guardian Signature

Date

## Pack Section:

You Assign Team #

Your Pack #

Team Leader: \_\_\_\_\_  
**required**

Team Number: \_\_\_\_\_ Pack Number: \_\_\_\_\_  
(assigned by each Pack – we no longer use Den numbers)

Pack Contact Name, telephone # and/or email address: \_\_\_\_\_  
(In case of questions)

REQUI RED

Please mail completed forms and your check [one per Pack] payable to **Pack 89** to:

Must be an adult from your pack  
EW Pack 89  
PO Box 682  
Broad Brook, CT 06016

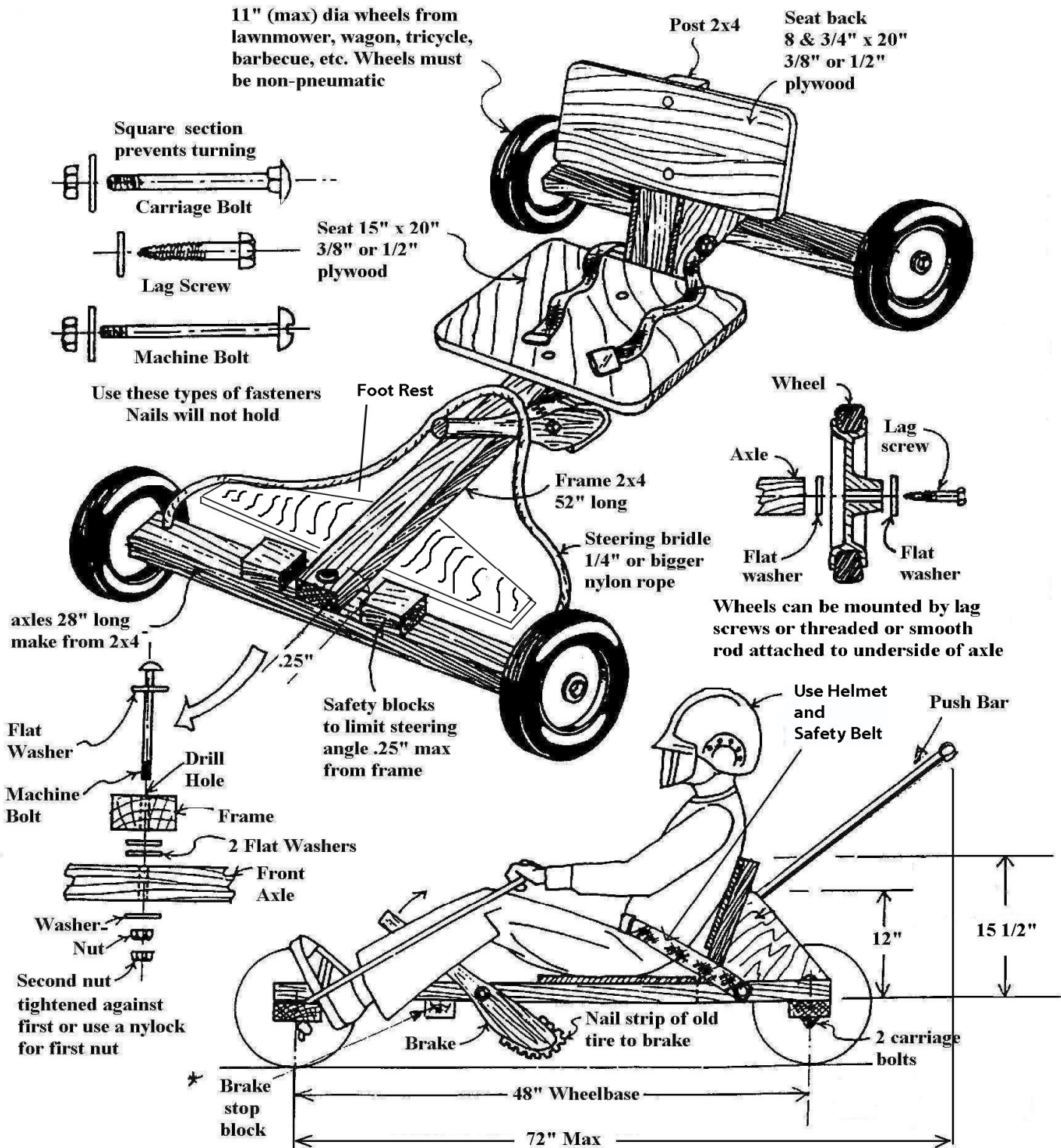
**Remember, completed registrations are due by Monday, April 24, 2023.**

-----  
The following is to be completed by the Race Committee.

Pre-Registration Date: \_\_\_\_\_ Racer Number: \_\_\_\_\_

# Cubmobile Spec Sheet

## 30th Annual Cubmobile Notes - 2023



Revision C  
August 2010

CUBMOBILE SPECS AND PARTS

**1) Tour Plans are strongly suggested for insurance purposes.**

**2) Teams NOT registered by the deadline posted may not race this year. Payment is required at time of registration. Forms must be legible. Print in block letters. We must be able to read the names, etc. See example page.**

**3) Additional “Day of the Race” information:**

- Visitor/Participant parking in designated areas only! Safety First!
- Any canopies, umbrellas, or other shade controlling items must be secured with extra weight at each leg. It's a windy area. Safety First!
- NO bicycles, skate boards, or other wheeled items allowed. NO playing with balls. NO activities that may cause any disruption to the event will be allowed.
- One race car for each Team
- Minimum 4 racers per Team - combine your scouts to make this happen
- Each Scout drives once in each of two lanes and Each Scout pushes once in each of two lanes
- There will be an adult monitor for staging cars to race - no crowded lines - If your car is not ready it will be taken out of line and the next available car will race.
- Times are recorded and Pack-Team times are averaged to get standing
- Times are recorded by the number assigned on the Scouts tag, not the Scout's name
- If a Scout is listed as having two times recorded, no further times will be accepted. This is regardless of which lane the times were recorded from
- If a Scout only records one time in the race, his time will be calculated in the average.
- If a Scout runs his Cubmobile off the track, the time is still running. The Scout and his Cubmobile should continue the race from where he left the track to the finish line (time keeps running)
- If a Cubmobile has any safety equipment failure during racing the car should be repaired before others use it
- Any Special Needs will be accommodated in keeping with the tenants of BSA. Please indicate these needs when registering your Scout, not on race day. It is harder to accommodate these cases on short notice.
- Every effort will be extended to allow every Scout to race
- No Den Chiefs or Boy Scouts are to participate as pushers or drivers
- Participation is limited to registered Cub Scouts only